

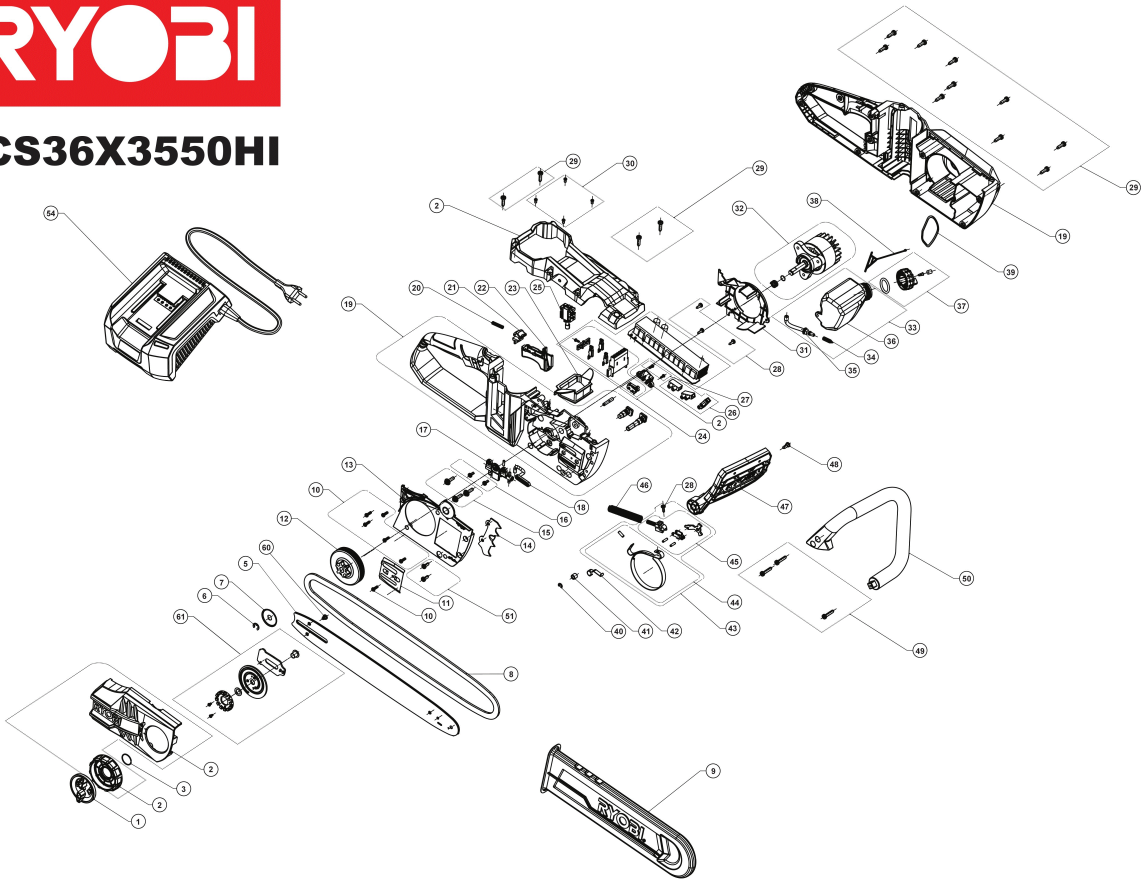
# RCS36X3550HI 36V 5.0A CHAINSAW IN2

5133002180 - RCS36X3550HI EU - 4000444193





RCS36X3550HI



| Position | Quantity | Description                            | Part number                   | EAN           |
|----------|----------|--|-------------------------------|---------------|
| 1_001 1  | 1        | KNOB                                   | 5131036226                    | 4058546156015 |
| 1_002 2  | 1        | COVER                                  | Item discontinued(5131036227) |               |
| 1_003 3  | 1        | RING                                   | Item discontinued(5131036228) |               |
| 1_004 4  | 2        | SCREW                                  | 5131036229                    | 4058546156046 |
| 1_006 5  | 1        | CLIP                                   | 5131036231                    | 4058546156053 |
| 1_007 6  | 1        | WASHER                                 | 5131036232                    | 4058546156060 |
| 1_009 7  | 1        | SCABBARDS                              | 5131036234                    | 4058546156077 |
| 1_010 8  | 6        | SCREW                                  | 5131036235                    | 4058546156084 |
| 1_011 9  | 1        | PLATE                                  | 5131036236                    | 4058546156091 |
| 1_012 10 | 1        | SPROCKET                               | 5131036237                    | 4058546156107 |
| 1_013 11 | 1        | COVER                                  | 5131036238                    | 4058546156114 |
| 1_014 12 | 1        | PLATE                                  | Item discontinued(5131036239) |               |
| 1_015 13 | 3        | SCREW                                  | 5131036240                    | 4058546156138 |
| 1_016 14 | 2        | SCREW                                  | 5131036241                    | 4058546156145 |
| 1_017 15 | 1        | PUMP                                   | 5131015980                    | 4058546103071 |
| 1_018 16 | 1        | RUBBER                                 | 5131036243                    | 4058546156152 |
| 1_019 17 | 1        | HOUSING                                | Item discontinued(5131036244) |               |
| 1_020 18 | 1        | SPRING                                 | 5131036245                    | 4058546156176 |
| 1_021 19 | 1        | LOCK                                   | Item discontinued(5131036246) |               |
| 1_022 20 | 1        | TRIGGER                                | Item discontinued(5131036247) |               |
| 1_023 21 | 1        | COVER                                  | Item discontinued(5131036248) |               |
| 1_024 22 | 1        | 40V BRUSHLESS MOTOR CONTROLLER AND BAT | 5131036249                    | 4058546156213 |
| 1_025 23 | 1        | SWITCH                                 | 5131036250                    | 4058546156220 |
| 1_026 24 | 3        | CONNECTING WIRE                        | 5131036251                    | 4058546156237 |
| 1_027 25 | 2        | SCREW                                  | 5131035627                    | 4058546150341 |
| 1_028 26 | 5        | SCREW                                  | 5131036253                    | 4058546156244 |
| 1_029 27 | 14       | SCREW                                  | Item discontinued(5131036254) |               |
| 1_030 28 | 4        | SCREW                                  | Item discontinued(5131036255) |               |
| 1_031 29 | 1        | COVER                                  | Item discontinued(5131036256) |               |
| 1_032 30 | 1        | MOTOR                                  | 5131036257                    | 4058546156282 |
| 1_033 31 | 1        | TANK                                   | 5131036258                    | 4058546156299 |
| 1_034 32 | 1        | FILTER                                 | 5131036259                    | 4058546156305 |
| 1_035 33 | 1        | HOSE                                   | Item discontinued(5131036260) |               |
| 1_036 34 | 1        | TANK                                   | Item discontinued(5131036261) |               |
| 1_037 35 | 1        | CAP                                    | 5131036262                    | 4058546156336 |
| 1_038 36 | 1        | RETAINER                               | 5131036263                    | 4058546156343 |
| 1_039 37 | 1        | RUBBER                                 | Item discontinued(5131036264) |               |
| 1_040 38 | 1        | CLIP                                   | 5131036265                    | 4058546156367 |
| 1_041 39 | 1        | BUSHING                                | 5131036266                    | 4058546156374 |
| 1_042 40 | 1        | SPRING                                 | 5131036267                    | 4058546156381 |
| 1_043 41 | 1        | BRAKE DISC                             | Item discontinued(5131036268) |               |
| 1_044 42 | 1        | BRAKE DISC                             | Item discontinued(5131036269) |               |
| 1_045 43 | 1        | LINK                                   | Item discontinued(5131036270) |               |
| 1_046 44 | 1        | SPRING                                 | Item discontinued(5131036271) |               |
| 1_047 45 | 1        | GUARD                                  | 5131036272                    | 4058546156435 |
| 1_048 46 | 1        | SCREW                                  | 5131036273                    | 4058546156442 |
| 1_049 47 | 3        | SCREW                                  | 5131036274                    | 4058546156459 |
| 1_050 48 | 1        | HANDLE                                 | Item discontinued(5131036275) |               |
| 1_051 49 | 2        | SCREW                                  | 5131036276                    | 4058546156473 |
| 1_054 50 | 1        | BATTERY CHARGER                        | 5131035688                    | 4058546150921 |

| Position | Quantity | Description                           | Part number                   | EAN           |
|----------|----------|---------------------------------------|-------------------------------|---------------|
| 1_060 51 | 1        | SCREW                                 | 5131037424                    | 4002395283422 |
| 1_061 52 | 1        | TENSIONING DEVICE                     | 5131037425                    | 4002395283439 |
| 1_005 53 | 1        | RAC241 35cm bar acc. for RCS36X3550HI | Item discontinued(5132002711) |               |
| 1_008 54 | 1        | RAC242 35cm chain for RCS36X3550HI    | 5132002712                    | 4892210130105 |