

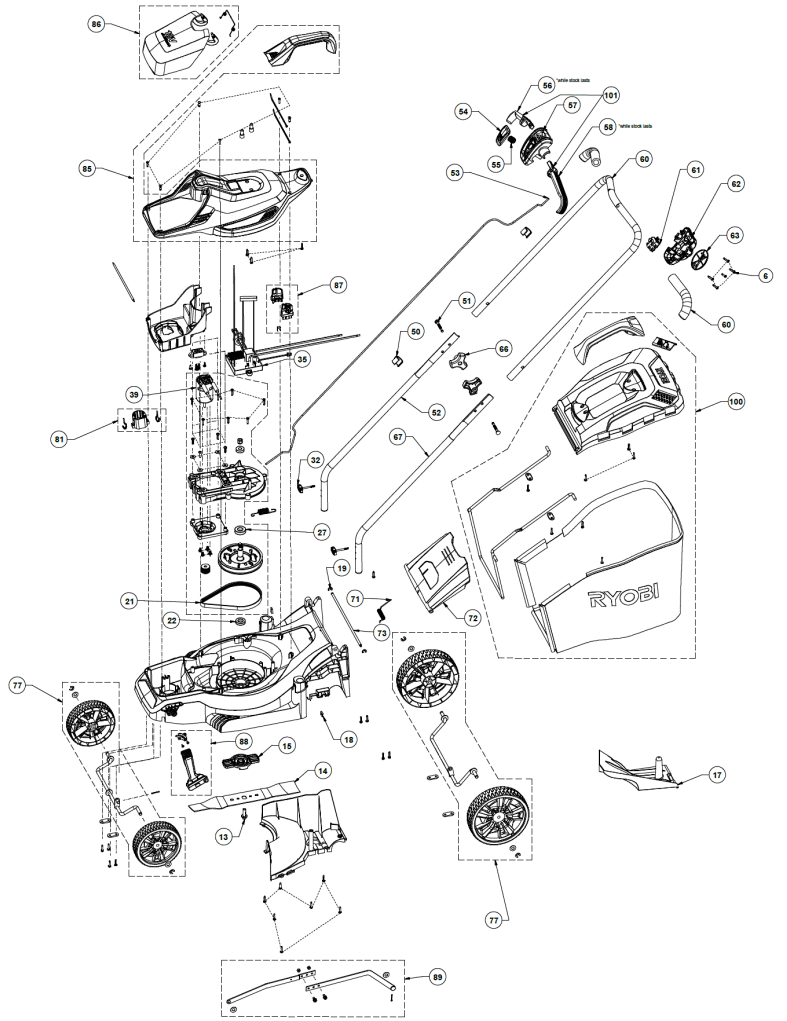
OLM1833B TONDEUSE 18V 33CM 0BATTERIE

5133004305 - OLM1833B - 4000462910





4000462910



Position	Quantity	Description	Part number	EAN
1006 1	5	VIS	5131035603	4058546150105
1013 2	1	VIS	5131042504	4058546257187
1015 3	1	SUPPORT	5131043766	4058546351267
1017 4	1	BOUCHON	5131042250	4058546254643
1018 5	2	ECROU	5131035493	4058546149093
1019 6	1	CIRCLIP INTERIEUR	5131001842	4058546055998
1021 7	1	COURROIE	5131042251	4058546254650
1022 8	1	ROULEMENT	5131049079	4058546604820
1027 9	1	ROULEMENT	5131042252	4058546254667
1032 10	2	ECROU PAPILLON	5131043613	4058546349738
1035 11	1	ELECTRONIQUE	5131042253	4058546254674
1039 12	1	MOTEUR	5131042254	4058546254681
1050 13	2	PORTE CABLE	5131042843	4058546260576
1051 14	2	VIS	5131042844	4058546260583
1052 15	1	BARRE	5131043614	4058546349745
1053 16	1	CABLE	5131042255	4058546254698
1054 17	1	TRINGLE	5131042256	4058546254704
1055 18	1	RESSORT	5131040206	4058546052683
1056 19	1	LEVIER	5131049364	4058546607678
1057 20	1	COUVERCLE CARTER	5131042847	4058546260613
1058 21	1	LEVIER	5131049364	4058546607678
1060 22	1	POIGNEE	5131043615	4058546349752
1061 23	1	INTERRUPTEUR	5131042260	4058546254742
1062 24	1	BAS CARTER	5131042851	4058546260651
1063 25	1	COUVERCLE	5131042262	4058546254766
1066 26	2	VIS PAPILLON	5131042846	4058546260606
1067 27	1	BARRE	5131043616	4058546349769
1071 28	1	RESSORT	5131049085	4058546604882
1072 29	1	COUVERCLE	5131049091	4058546604943
1073 30	1	LATCH BAR	5131042861	4058546260750
1077 31	1	PAIRE DE ROUES	5131042263	4058546254773
1081 32	1	CARTER DE BATTERIE	5131042264	4058546254780
1085 33	1	COUVERCLE DE CARTER	5131042265	4058546254797
1086 34	1	COUVERC. PROTECTEUR	5131042266	4058546254803
1087 35	1	CLE DE SECURITE	5131035631	4058546150372
1088 36	1	FOURCHETTE D. REGL.	5131042315	4058546255299
1089 37	1	PIECE DE JOINT	5131042443	4058546256579
1100 38	1	SAC HERBE	5131042536	4058546257507
1014 39	1	RAC434 LAME 33CM RLM18X33B40/OLM1833B	5132004516	4892210181183