

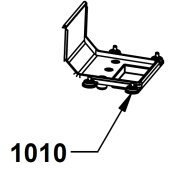
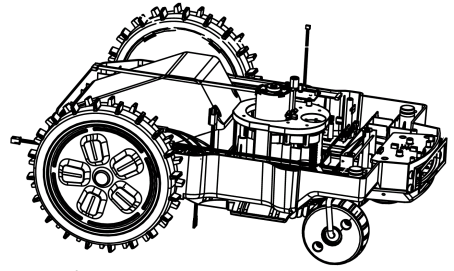
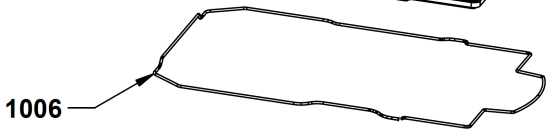
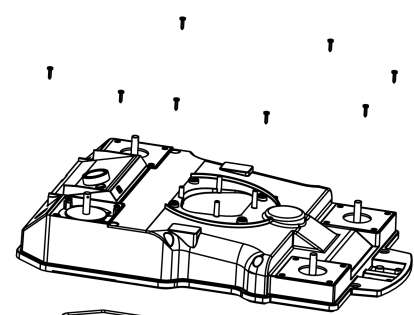
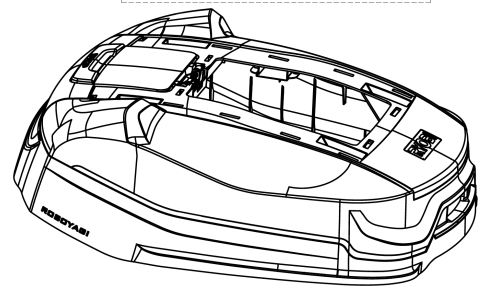
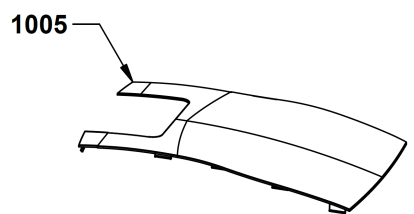
RY36LMRX-0N 36V ROBOTIC LAWNMOWER XXX

5133004762 - RY36LMRX-0N - 4000475178



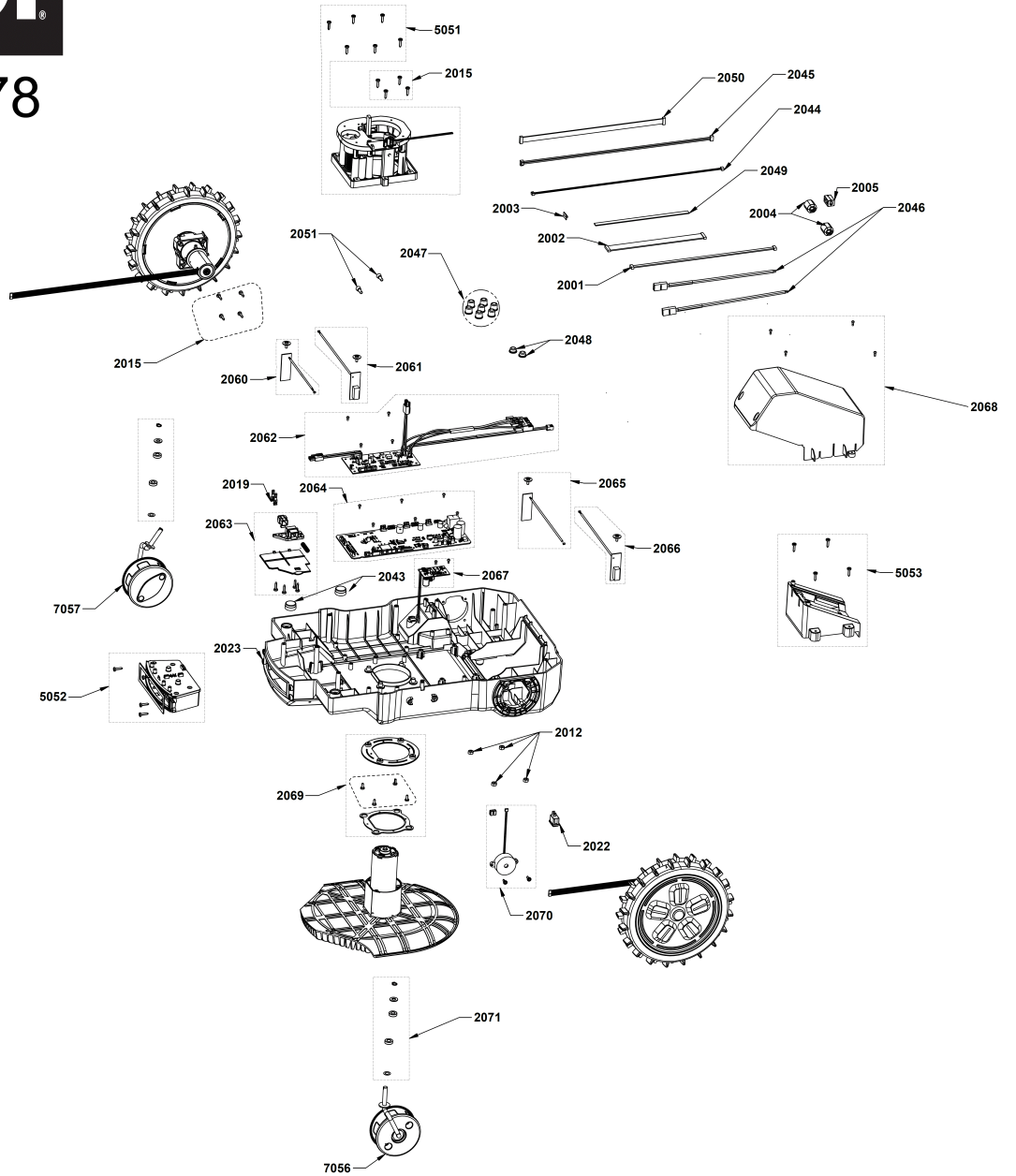


4000475178



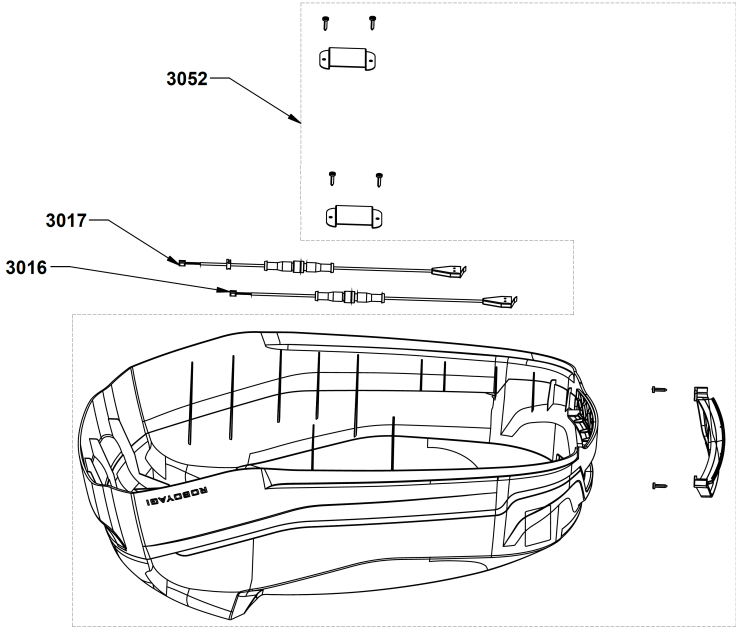
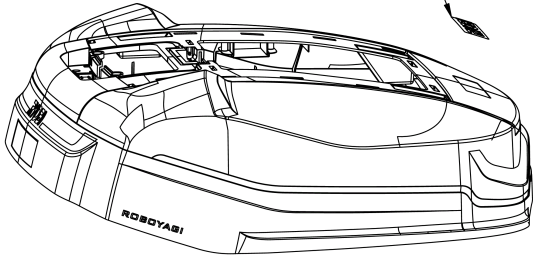
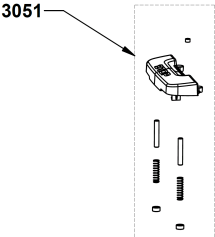
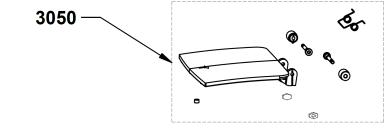


4000475178



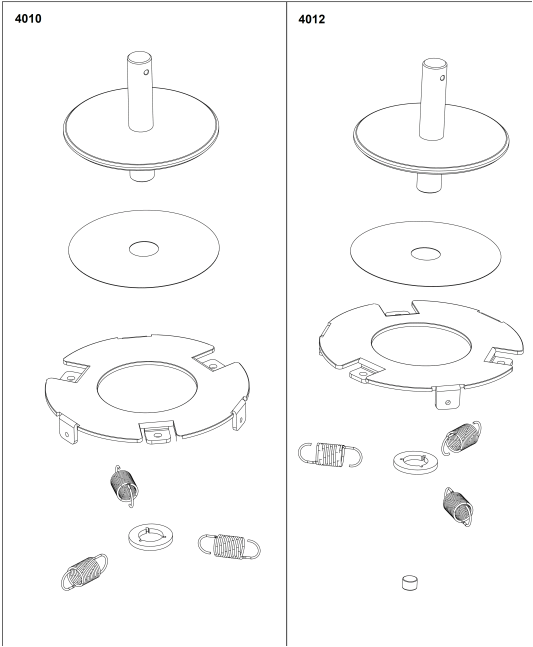
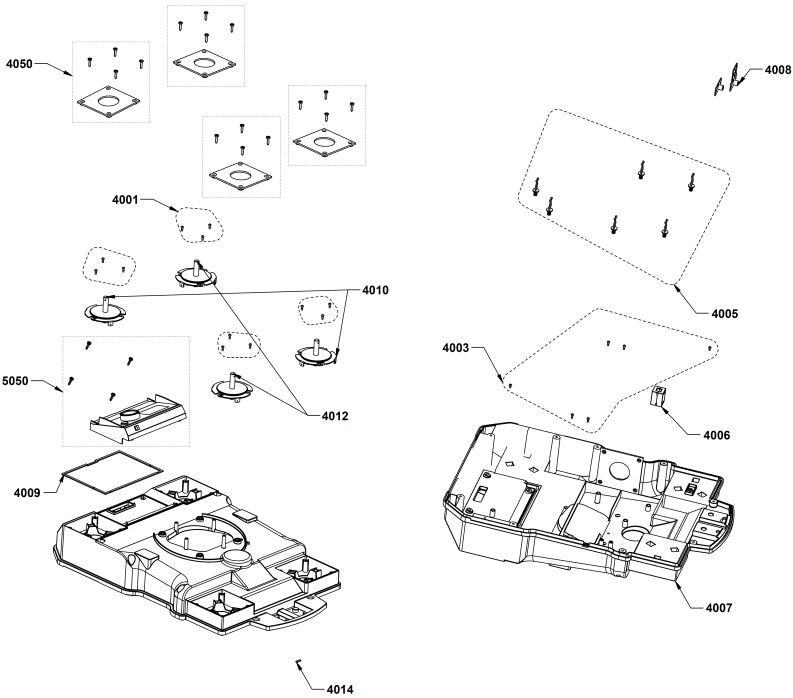


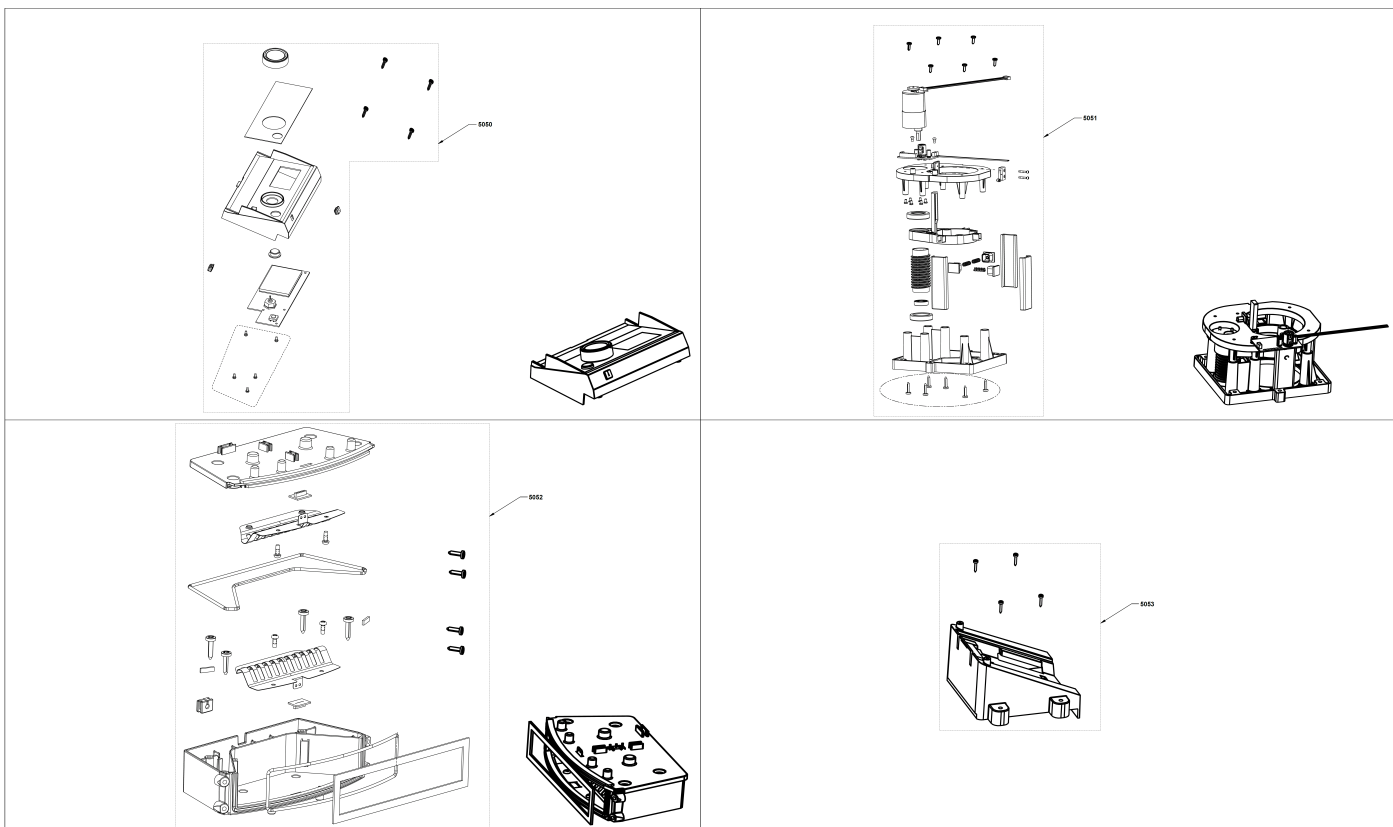
4000475178





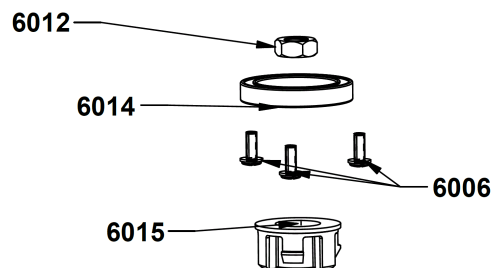
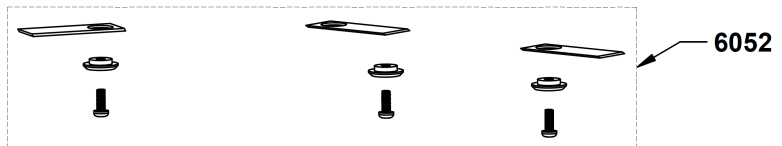
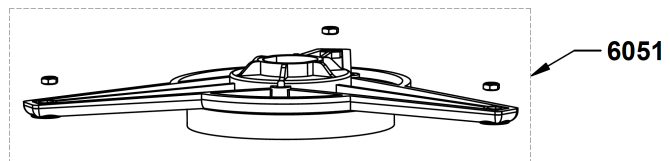
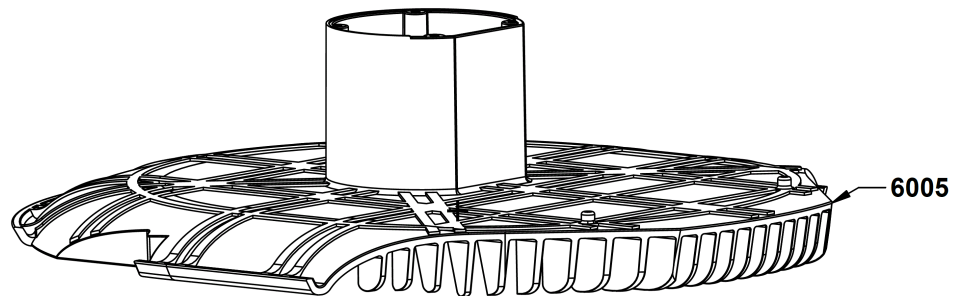
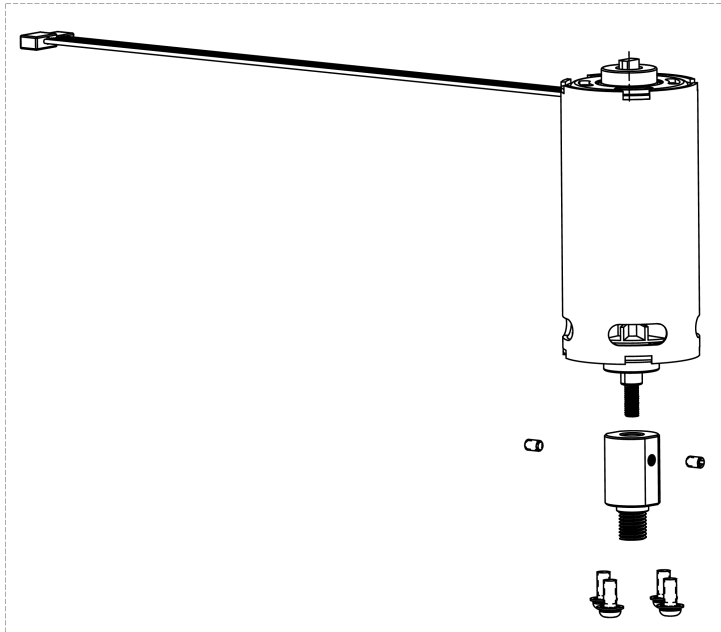
4000475178

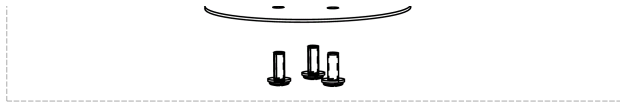


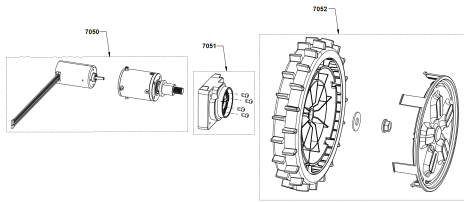




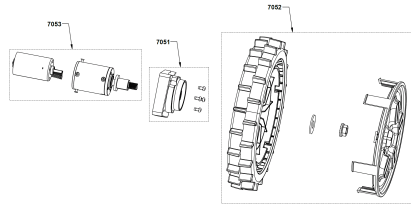
4000475178



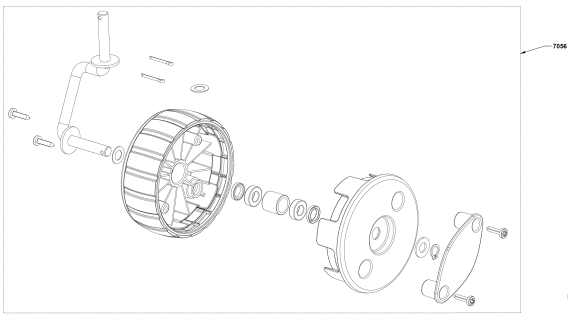




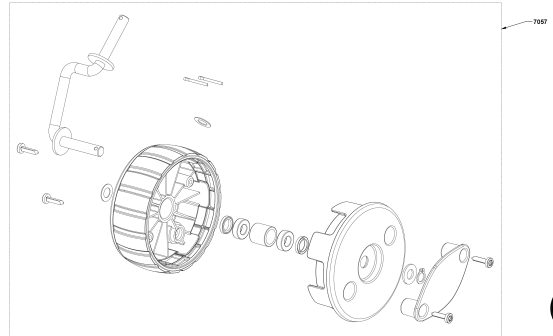
left wheel



right wheel



7056

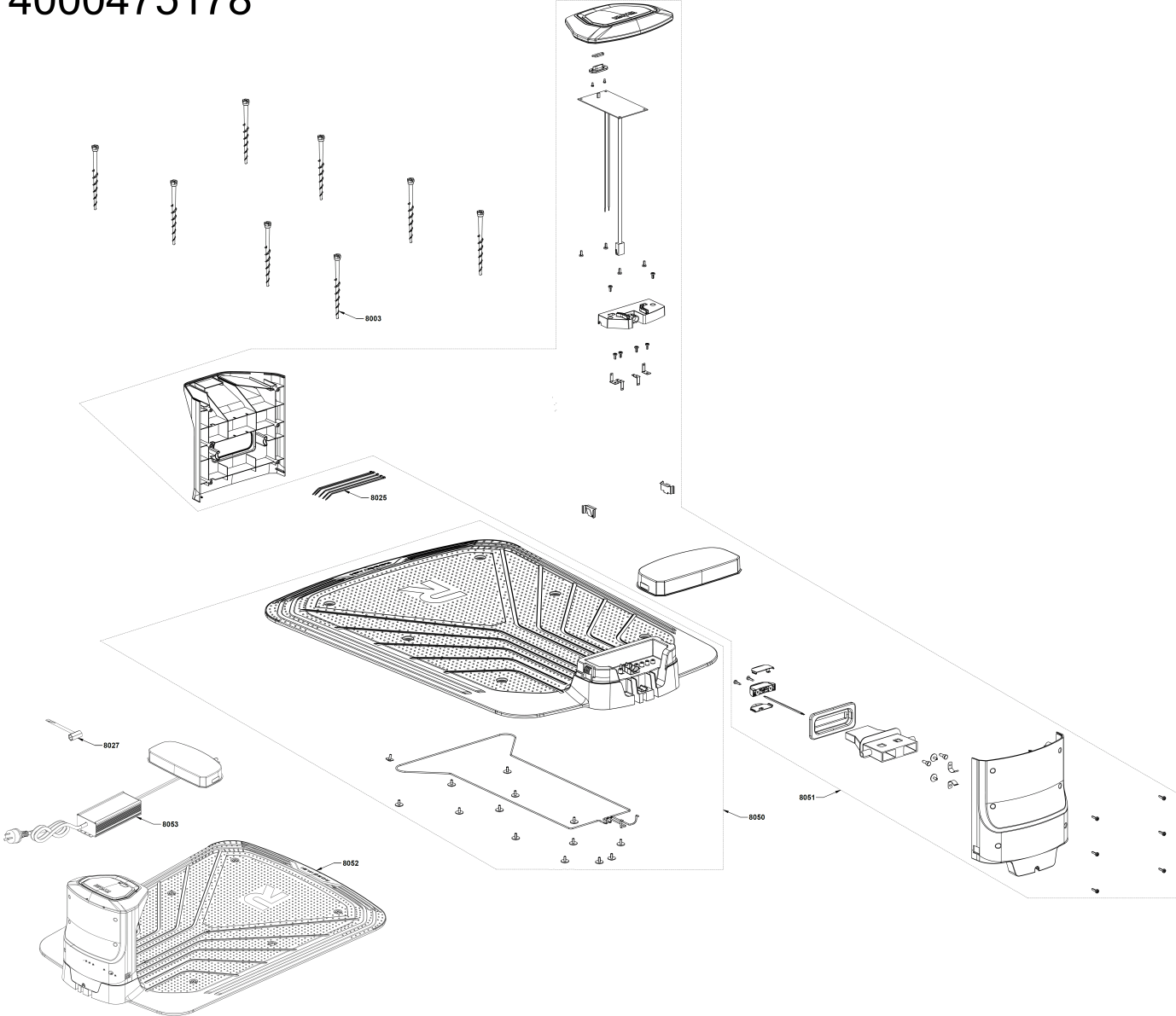


7057





4000475178



Position	Quantity	Description	Part number	EAN
1005 1	1	HOUSING COVER	5131044600	4058546383237
1006 2	1	SEAL	5131044601	4058546383244
1010 3	1	BATTERY COVER	5131044602	4058546383251
1050 4	1	SCREW	5131044603	4058546383268
2001 5	1	WIRE	5131044604	4058546383275
2002 6	1	WIRE	5131044605	4058546383282
2003 7	1	SEALING SLEEVE	5131044606	4058546383299
2004 8	3	FERRITE CORE	5131044607	4058546383305
2005 9	1	FERRITE CORE	5131044608	4058546383312
2012 10	4	NUT	5131011816	4058546098964
2015 11	8	SCREW	5131044609	4058546383329
2019 12	2	CONNECTION	5131044610	4058546383336
2022 13	1	SWITCH	5131044611	4058546383343
2023 14	1	ABSOLUTE UNIT	5131044612	4058546383350
2043 15	2	PLUG	5131044613	4058546383367
2044 16	1	WIRE	5131044614	4058546383374
2045 17	1	WIRE	5131044615	4058546383381
2046 18	2	WIRE	5131044616	4058546383398
2047 19	7	PLUG	5131044617	4058546383404
2048 20	2	PLUG	5131044618	4058546383411
2049 21	1	FOAM SLUG	5131044619	4058546383428
2050 22	1	WIRE	5131044620	4058546383435
2051 23	2	CONNECTOR	5131035584	4058546149932
2060 24	1	ELECTRONIC	5131044621	4058546383442
2061 25	1	ELECTRONIC	5131044622	4058546383459
2062 26	1	ELECTRONIC	5131044623	4058546383466
2063 27	1	COVER CAP	5131044624	4058546383473
2064 28	1	ELECTRONIC	Item discontinued(5131044625)	
2065 29	1	ELECTRONIC	5131044626	4058546383497
2066 30	1	ELECTRONIC	5131044627	4058546383503
2067 31	1	ELECTRONIC	5131044628	4058546383510
2068 32	1	COVER LID	5131044629	4058546383527
2069 33	1	SEALING WASHER	5131044630	4058546383534
2070 34	1	SPEAKER	5131044631	4058546383541
2071 35	1	CLAMPING SET	5131044632	4058546383558
3008 36	1	LABEL	5131044633	4058546383565
3016 37	1	SWITCH	Item discontinued(5131044634)	
3017 38	1	SWITCH	Item discontinued(5131044635)	
3050 39	1	SERVICING LID	5131044636	4058546383596
3051 40	1	STOP BUTTON	5131044637	4058546383602
3052 41	1	HOUSING COVER	5131044638	4058546383619
4001 42	16	SCREW	5131035627	4058546150341
4003 43	2	SCREW	Item discontinued(5131035881)	
4005 44	6	CABLE CLIP	5131044639	4058546383626
4006 45	1	FERRITE CORE	5131044640	4058546383633
4007 46	1	HOUSING	5131044641	4058546383640
4008 47	1	ELECTRONIC	5131044642	4058546383657
4009 48	1	SEAL	5131044643	4058546383664
4010 49	2	DAMPING SPRING	5131044644	4058546383671
4012 50	2	DAMPING SPRING	Item discontinued(5131044645)	

Position	Quantity	Description	Part number	EAN
4014 51	1	SEALING SLEEVE	5131044646	4058546383695
4050 52	1	COVER	5131044647	4058546383701
5050 53	1	DISPLAY	Item discontinued(5131044648)	
5051 54	1	HEIGHT ADJUSTMENT	5131044649	4058546383725
5052 55	1	CONTACT CASE	5131044650	4058546383732
5053 56	1	BATTERY BOX	5131044651	4058546383749
6005 57	1	BLADE GUARD	5131044652	4058546383756
6006 58	6	SCREW	5131044653	4058546383763
6012 59	1	NUT	5131044654	4058546383770
6014 60	1	BALL BEARING	5131044655	4058546383787
6015 61	1	CHAIN CLAMP BODY	5131045904	4058546455361
6050 62	1	DC-MOTOR	5131044657	4058546383800
6051 63	1	ACCEPTANCE	5131044658	4058546383817
6053 64	1	KNIFE PROTECTION	5131044659	4058546383824
7050 65	1	DC-MOTOR	Item discontinued(5131044660)	
7051 66	2	CLAMPING SET	5131044661	4058546383848
7052 67	2	WHEEL PAIR	5131044662	4058546383855
7053 68	1	DC-MOTOR	5131044663	4058546383862
7056 69	1	WHEEL	5131044664	4058546383879
7057 70	1	WHEEL	Item discontinued(5131044665)	
8003 71	8	FASTENING BOLT	5131044666	4058546383893
8025 72	7	CABLE JOINT	5131044667	4058546383909
8027 73	1	WRENCH	5131044668	4058546383916
8050 74	1	BASE PLATE	5131044669	4058546383923
8051 75	1	CLUTCH HOUSING	Item discontinued(5131044670)	
8052 76	1	DOCKING STATION	5131044671	4058546383947
8053 77	1	POWER CORD	Item discontinued(5131044672)	
6052 78	1	RAC433 9PC BLADE SET FOR ROBOYAGI XXX	Item discontinued(5132003744)	