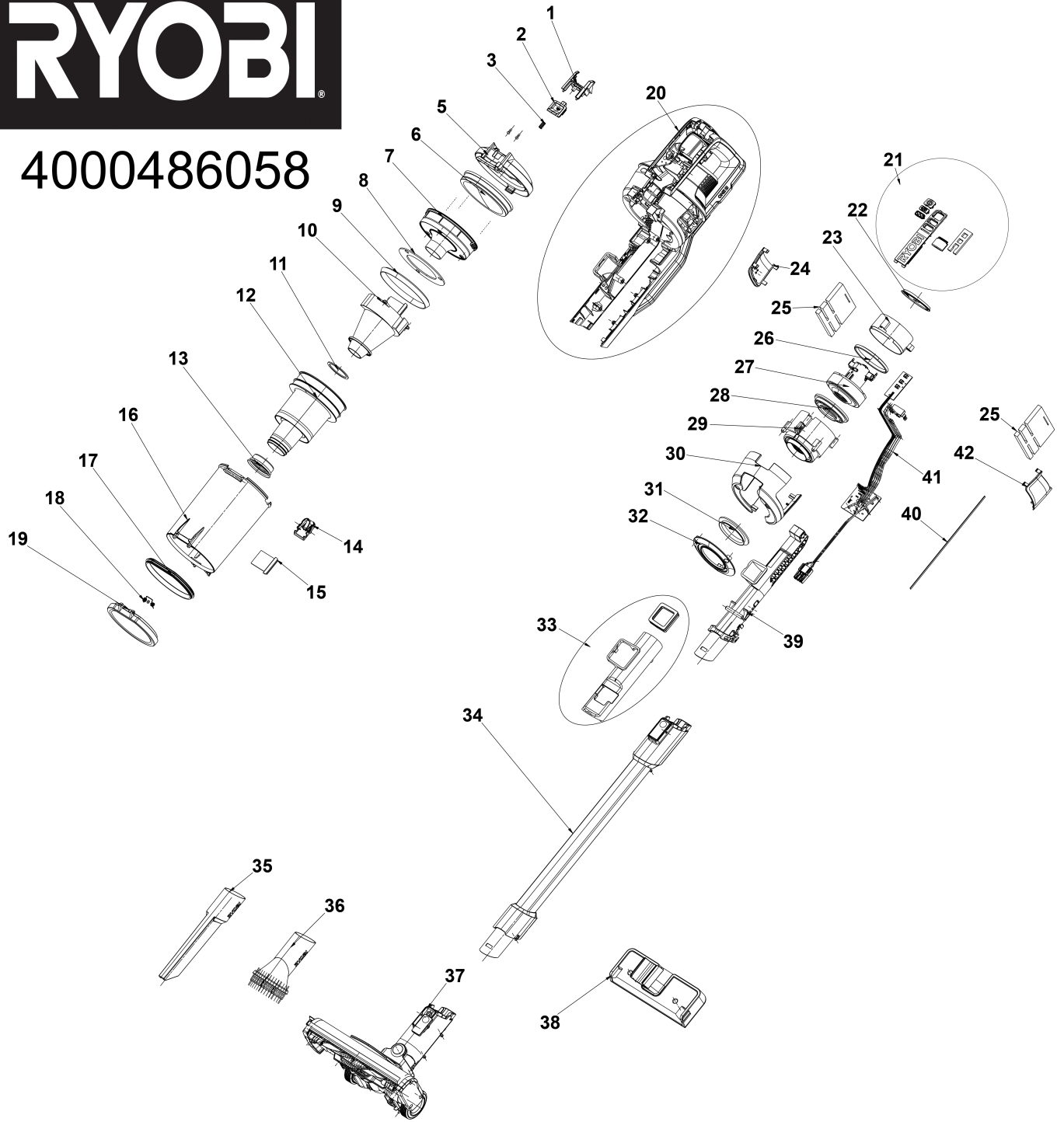


RSV18-1C40GLA 18V Cordless Stick Vac GB2

5133006240 - RSV18-1C40GLA - 4000486058

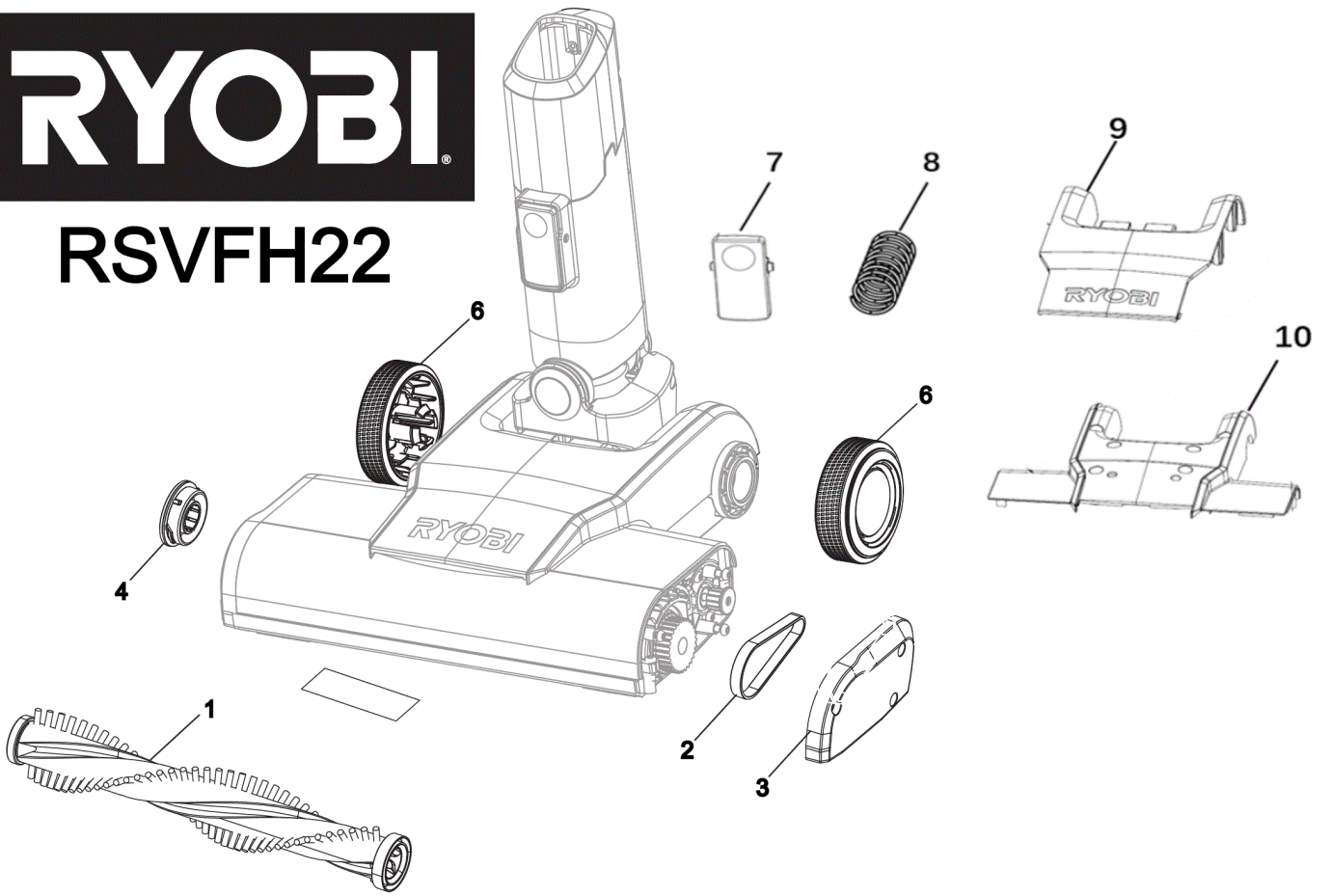


4000486058



RYOBI

RSVFH22



| Position | Quantity | Description | Part number | EAN |
|----------|----------|----------------------|-------------------------------|---------------|
| 1001 1 | 1 | COVER | 5131046146 | 4058546457785 |
| 1002 2 | 1 | BUTTON | 5131046147 | 4058546457792 |
| 1003 3 | 1 | SPRING | 5131043403 | 4058546266172 |
| 1005 4 | 1 | COVER | 5131046148 | 4058546457808 |
| 1007 5 | 1 | COVER | 5131046149 | 4058546457815 |
| 1008 6 | 1 | SEALING WASHER | 5131046111 | 4058546457433 |
| 1009 7 | 1 | SEAL | 5131046150 | 4058546457822 |
| 1010 8 | 1 | ACCEPTANCE | 5131046113 | 4058546457457 |
| 1011 9 | 1 | SEALING WASHER | 5131046114 | 4058546457464 |
| 1012 10 | 1 | FILTER | 5131046151 | 4058546457839 |
| 1013 11 | 1 | SEALING WASHER | 5131046152 | 4058546457846 |
| 1014 12 | 1 | TRIGGER | 5131046153 | 4058546457853 |
| 1015 13 | 1 | DUST INDICATOR | 5131046154 | 4058546457860 |
| 1016 14 | 1 | CUP | 5131046155 | 4058546457877 |
| 1017 15 | 1 | SEALING WASHER | 5131046156 | 4058546457884 |
| 1018 16 | 1 | SPRING | 5131046121 | 4058546457532 |
| 1019 17 | 1 | COVER | 5131046157 | 4058546457891 |
| 1020 18 | 1 | HOUSING | 5131046158 | 4058546457907 |
| 1021 19 | 1 | PUSH BUTTON | 5131046159 | 4058546457914 |
| 1022 20 | 1 | COVER CAP | 5131046160 | 4058546457921 |
| 1023 21 | 1 | COVER | 5131046161 | 4058546457938 |
| 1024 22 | 1 | COVER | 5131046162 | 4058546457945 |
| 1025 23 | 2 | FOAM SLUG | 5131046130 | 4058546457624 |
| 1026 24 | 1 | RUBBER BUFFER | 5131046163 | 4058546457952 |
| 1027 25 | 1 | DC-MOTOR | 5131046164 | 4058546457969 |
| 1028 26 | 1 | FRONT PLATE | 5131046165 | 4058546457976 |
| 1029 27 | 1 | MOTOR SUPPORT | 5131046166 | 4058546457983 |
| 1030 28 | 1 | HOUSING | 5131046167 | 4058546457990 |
| 1031 29 | 1 | SEAL | 5131046168 | 4058546458003 |
| 1032 30 | 1 | END COVER CAP | 5131046169 | 4058546458010 |
| 1033 31 | 1 | GUIDE TUBE | 5131046170 | 4058546458027 |
| 1034 32 | 1 | SUCTION TUBE | 5131046171 | 4058546458034 |
| 1035 33 | 1 | GAP NOZZLE | 5131046139 | 4058546457716 |
| 1036 34 | 1 | SUCTION NOZZLE | 5131046140 | 4058546457723 |
| 1037 35 | 1 | BEATER BAR HEAD ASSY | 5131046172 | 4058546458041 |
| 1038 36 | 1 | WALL HOLDER | 5131046141 | 4058546457730 |
| 1039 37 | 1 | SUCTION TUBE | 5131046173 | 4058546458058 |
| 1040 38 | 1 | RUBBER BUMPER | 5131046143 | 4058546457754 |
| 1041 39 | 1 | ELECTRONIC | Item discontinued(5131046174) | |
| 1042 40 | 1 | COVER | 5131046175 | 4058546458072 |
| 2001 41 | 1 | BRUSH CLEANER | 5131049376 | 4058546607791 |
| 2002 42 | 1 | BELT | 5131049377 | 4058546607807 |
| 2003 43 | 1 | COVER | 5131049378 | 4058546607814 |
| 2004 44 | 1 | COVER | 5131049379 | 4058546607821 |
| 2006 45 | 2 | WHEEL | 5131049380 | 4058546607838 |
| 2007 46 | 1 | TRIGGER | 5131049381 | 4058546607845 |
| 2008 47 | 1 | SPRING | 5131049382 | 4058546607852 |
| 2009 48 | 1 | COVER | 5131049383 | 4058546607869 |
| 2010 49 | 1 | COVER | 5131049384 | 4058546607876 |